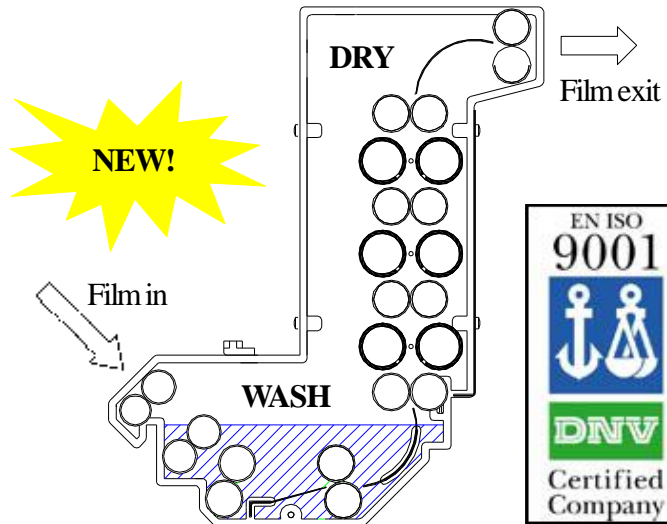


# Colenta<sup>®</sup> INDX 37 NDT Dryer

## Automatic NDT Industrial X-Ray Film Dryer

AUTOMATION FOR YOUR MANUAL FILM DEVELOPING NEEDS.

The affordable, compact and easy to use **wash** and **drying** solution for the varied and specialised manual developing applications.



### Features:

- \* Low noise, Warm air drying with over-temp protection
- \* Low Maintenance precision gear drive - no worm drive used
- \* Staggered „minimum contact“ roller system ensures safe, clean and dry x-ray film production.
- \* Lightweight and compact for easy handling
- \* Low power requirements, low operating costs.

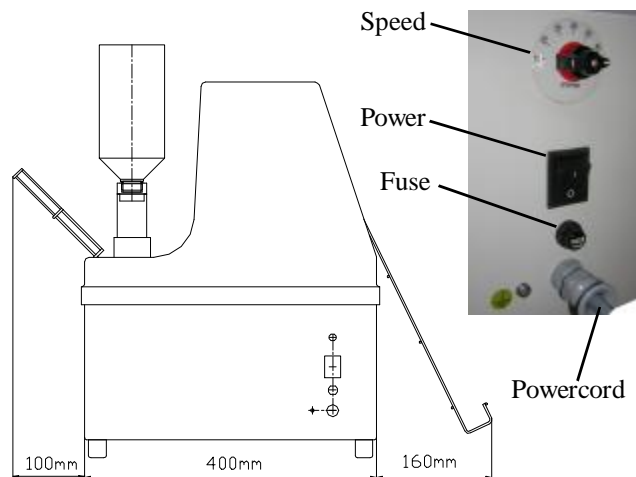
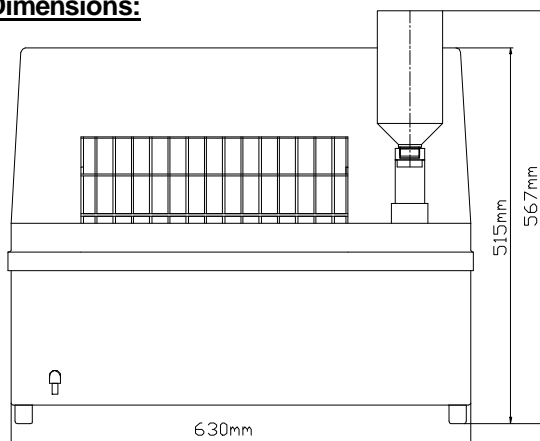
### Technical Specifications:

Max Film Width:	36cm/14inch
Min Film Length:	10cm/4inch
Tankbody PA:	Wash 2,8 Litre
Dryer Temperature:	approx 50°C
Water replenishment:	automatic bottle feed

Capacity at cycle time	in-feed speed
from: 5,3min (320sec)	15 cm/min
to: 1,8min (108sec)	45 cm/min
(adjustable in 5cm/min steps)	

Electr. Power Supply: 230V, 50/60 Hz, 1200W  
 Water Supply: by supplied water bottle

### Dimensions:



**Colenta<sup>®</sup>**

Technical specification subject to change without notice.

COLENTA LABORTECHNIK  
 Ges.m.b.H. & Co. KG  
 Neunkirchner Strasse 117  
 A-2700 Wiener Neustadt  
 Tel.: +43-2622-28311-0  
 Fax: +43-2622-28311-7  
 E-mail: [Office@colenta.at](mailto:Office@colenta.at)  
 WEB: [www.colenta.at](http://www.colenta.at)

ACI-COLENTA  
 INTERNATIONAL Div.  
 Forge Close, Little End Rd,  
 Eaton Socon, Cambs. UK  
 Tel. +44-1480-211118  
 Fax:+44-1480-215236  
 E-mail: [aci@patflaherty.com](mailto:aci@patflaherty.com)  
 WEB: [www.colenta.at](http://www.colenta.at)