

# OnDemand Specialty System



## Key Specifications

**Depth Rating:** 30m / 100ft  
**Maximum Tether Length:** 180m / 600ft  
**Maximum Speed:** 9m / 30ft per minute  
**Vehicle Payload:** up to 18kg / 40lb  
**Front Facing Camera:** Spectrum 45™  
**Optional:** Rear-facing Mini Crystal Cam® camera  
**Operating Temperature:** 0°-50° C / 32°-122° F  
**Vehicle Weight:** 10kg / 22lb  
**Vehicle Dimensions:** 437mm / 17in length with variable diameter depending on pipe size

**Standard Components:** 3 x 4000 series Microtracs™, 1 x Spectrum 45™ camera, 2 x 801 lights, tripod chassis and wiring harness, 150m / 500ft tether, Versatrax™ power supply / controller in Pelican® case with Digital Video Recorder and sunlight readable monitor.

## VT100 Vertical Crawler™ (VT100VC)



## Industries & Applications

- Marine
- Mining
- Municipal (Sewer/Water)
- Nuclear
- Oil and Gas (Onshore/Offshore)
- Petrochemical

Combining the power of three Microtracs™ and an expandable tripod chassis, the unique VT100 Vertical Crawler™ can perform difficult inspections over a range of pipe sizes in virtually any orientation.

Independent control of each track allows the vehicle to easily navigate multiple bends and vertical pipe segments over distances up to 180m / 600ft. Auxiliary LED lighting compliments the high quality video captured by the onboard cameras, while real-time sensors indicate pipe size and expansion force.

Constructed out of marine grade anodized aluminum and stainless steel, the VT100VC is extremely durable and fully submersible for underwater applications.



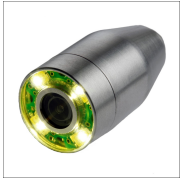
*"The quality of the picture was good. I went to the client and handed over the video footage and they are delighted with the way the operation was carried out."*

- Alan Taylor, Project Manager, Sureclean

All specifications are subject to change

# STANDARD IM3 OPTIONS

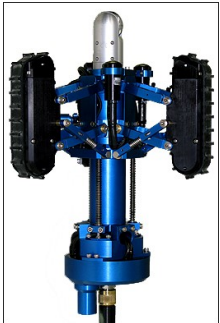
Custom configurations:  
See dealer for details



**Mini Crystal Cam®**  
Rear-facing camera  
for tether monitoring



**Tether Reel**  
Convenient Pelican®  
case tether reel option  
for quick deployment  
and easy  
transportation



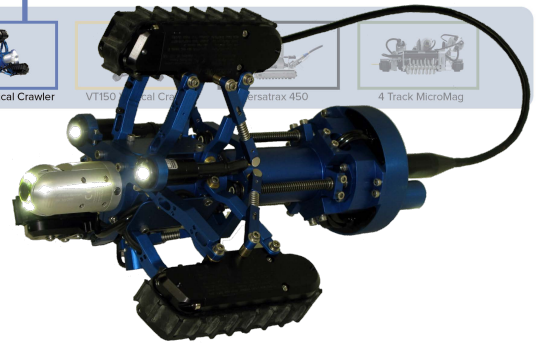
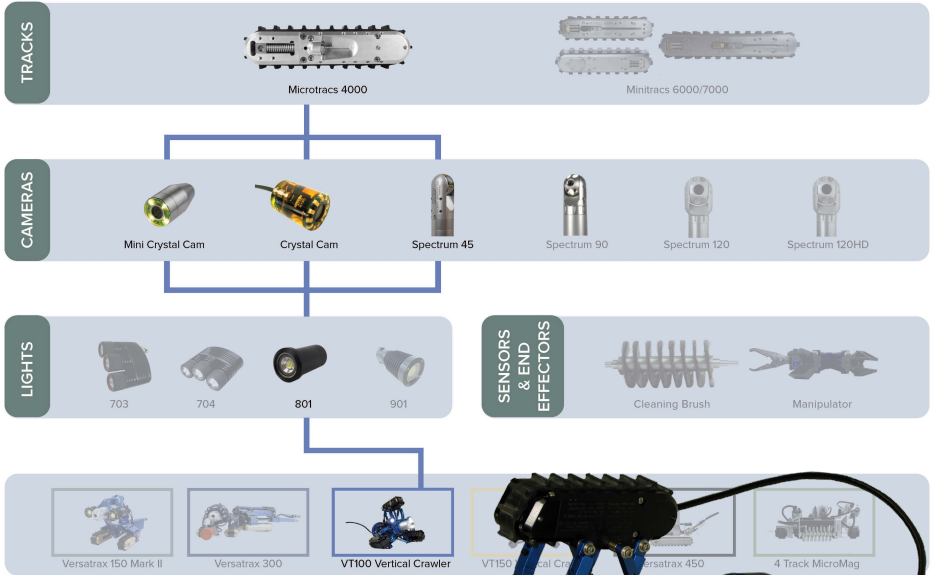
**Any Orientation  
Operation**  
Independent track  
control allows vehicle to  
easily navigate multiple  
bends in any orientation.



**Auxiliary Lighting**  
LED lighting compliments  
high quality video  
captured by on-board  
cameras.



# VT100 Vertical Crawler™



## VT100 Vertical Crawler™ Standard Dimensions

