

OnSite Standard Product



Key Specifications

Depth Rating: 150m / 500ft

Operating Temperature: -5 - 50° C / 23 - 122° F

Dimensions:

MC3000: 179x56x56mm / 7x2.2x2.2in

MC4000: 200x65x61mm / 7.9x2.55x2.34in

Payload Capacity: 10.8kg / 24lb per track

Pull Rating: 6.5kg / 15lb per track

Speed: 9m / 30ft per minute

Power:

MC3000: 0-24VDC / 3A

MC4000 Embedded: 36-48 VDC / 2A

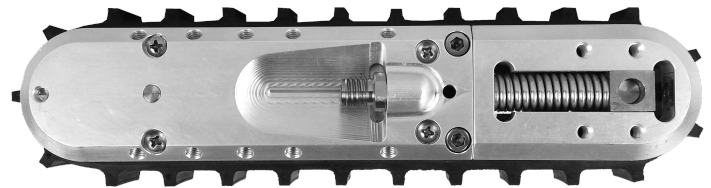
Weight:

Aluminum: 1.4kg / 3lb

Brass: 2kg / 5lb

Stainless Steel: 2kg / 5lb

Microtrac™ (MC3000/MC4000)



Industries & Applications

- Mining
- Municipal (Sewer/Water)
- Nuclear
- OEM
- Oil & Gas (Onshore/Offshore)
- Petrochemical

Small in size but big on capability, Inuktun's Microtrac™ crawlers are designed for remote applications in confined spaces where performance and reliability are critical. Manufactured from brass, aluminum or stainless steel, these miniature modules operate effectively in dry areas or subsea environments. Powerful and reliable, they make an ideal transporter platform for specialty robotic systems operating in some of the most challenging industrial environments.

As one of the building blocks of Inuktun's Multi-Mission Modular (IM3) technology, Microtracs™ are included in many of our standard and customized Versatrax™ crawler systems. They are easily combined with Inuktun's Spectrum™ cameras, third party components or NDT probes to build fully functional and precise inspection tools. Or, for OEM clients with precise integration and operational requirements, the tracks can be purchased separately with specific options for interface technologies, travel speed and depth rating.



"The Microtracs we purchased from you are nigh-indestructible and easy to service. The overall design is excellent, incorporating versatility and dependability with an attractive and practical industrial design."

– W. Tessari, Manager/Senior Technician RVT Dept, Maverick Inspection

All specifications are subject to change

STANDARD IM3 OPTIONS

Custom configurations:
See dealer for details

Material

Brass
Stainless Steel
Aluminum



Subsea Operation

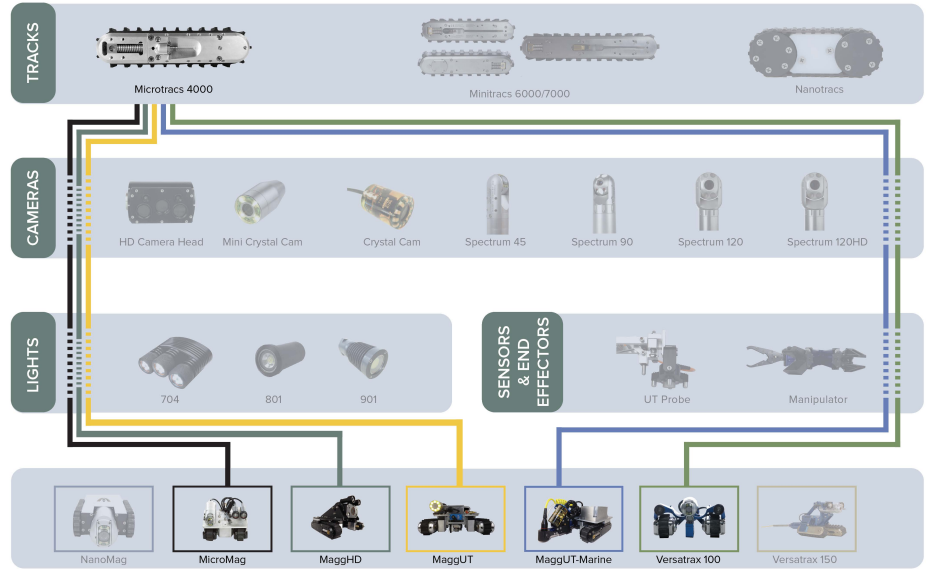
Option for pressure compensated Microtracs™ for operation to greater depths.



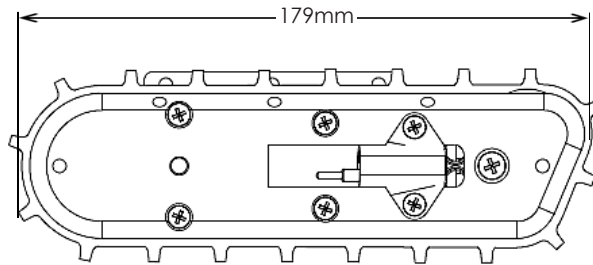
Extended Track

Increased stability is offered with the extended Microtrac™ when transporting larger vehicles like the VT100 Vertical Crawler™.

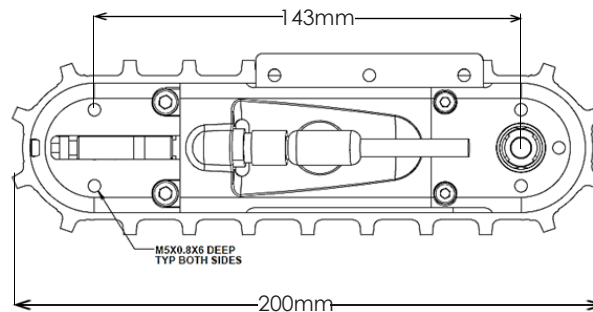
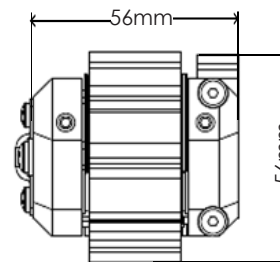
Microtrac™



Microtrac™ Standard Dimensions



MC3000



MC4000

